

Crystal Part No.: RFX-75-20.0M50IY

Issue 1; 6th July 2022

Features

- Frequency 20.0MHz fundamental
- Calibration tolerance ± 20 ppm
- Temperature stability ± 30 ppm
- Temperature range $(-40$ to $+85)^\circ\text{C}$
- The flexible nature of the design, means that variations to suit almost any application can be developed to meet individual customer requirements
- Drive level 100uW
- Series Resistance 40Ω
- Shunt capacitance C_0 7 pF max.
- Load capacitance CL (9.5 - 100)pF or series [to order]
- Ageing $\pm 3 \times 10^{-6}$ /year

Environmental

- Electrostatic-Sensitive Device (ESD)
- Storage Temperature Range: $(-55$ to $+125)^\circ\text{C}$
- Mechanical shock: MIL standard 202F, method 213 condition J
- Thermal shock: MIL standard 202F, method 107, condition A
- Vibration: MIL standard 202F, method 204, condition B
- Solderability: 5 seconds maximum at 230°C
- 3 seconds maximum at 350°C

Compliance

- RoHS Status (2011/65/EU) Compliant
- REACH Status - Compliant

Packaging

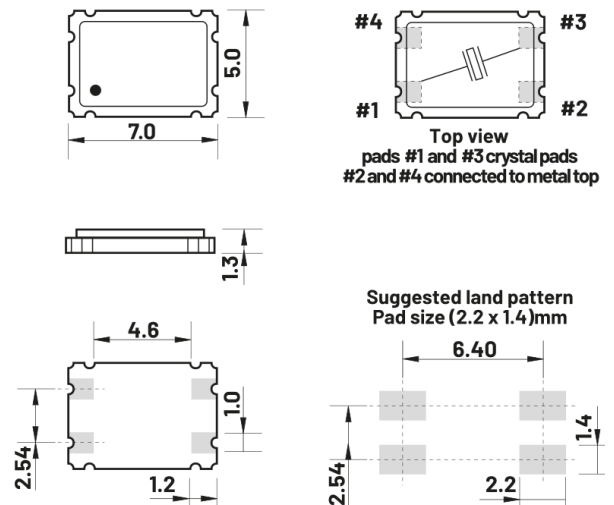
- Pack Style: tape and reel: 1000 pieces

Ordering Information

- Crystal model: RFX-75 series
- Crystal Part No.: RFX-75-20.0M50IY[xx]
Where [xx] is the required load
e.g. RFX-75-20.0M50IY30 for 30 pF
RFX-75-20.0M50IYS for series



Dimensions (mm)



Part number examples by load

load condition	part number
10pF	RFX-75-20.0M50IY10
20pF	RFX-75-20.0M50IY20
30pF	RFX-75-20.0M50IY30
Series	RFX-75-20.0M50IYS